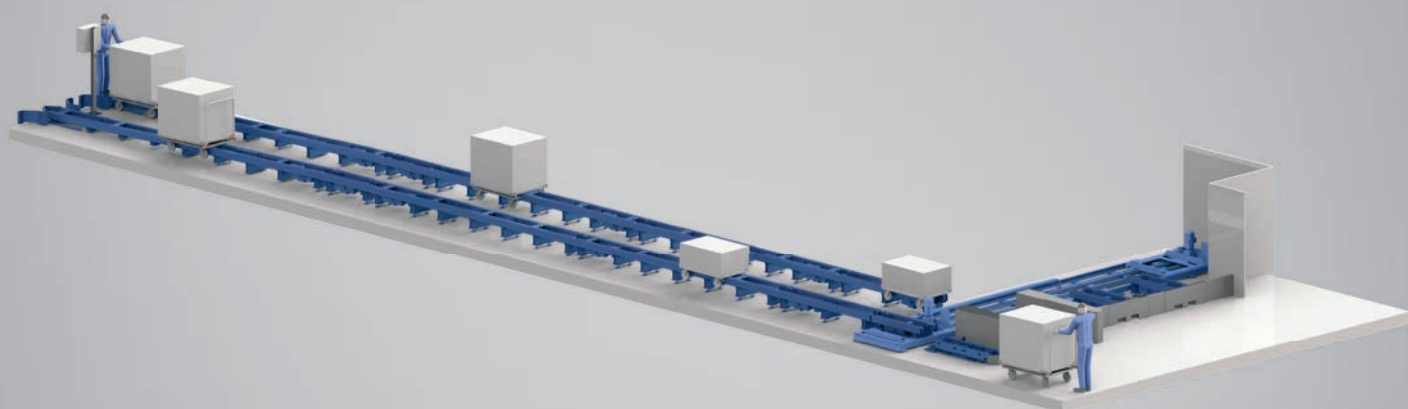


TS

Transport system
TS-S-A/TS-G-A (Elevated system)

KNOLL
.It works

Version 05-2018

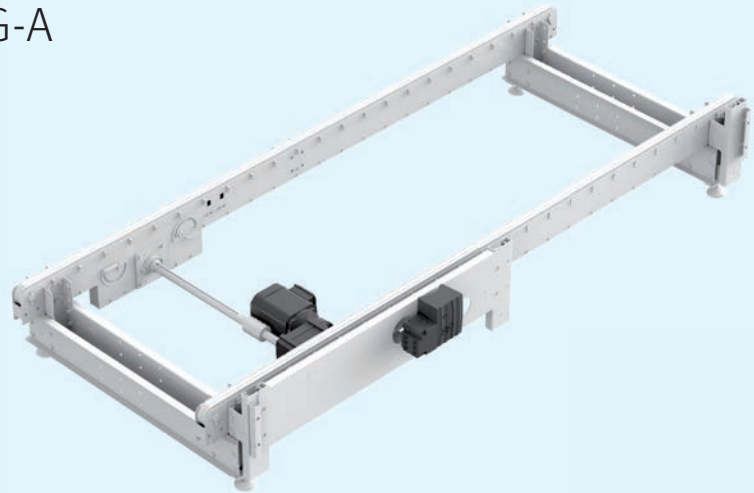


KNOLL transport systems are ideally suited for use in logistics and assembly, even for heavy and very large parts. Because our systems are modularly structured mechanically, electrically, and in terms of their software, our specialists can implement custom-tailored solutions for you. Such systems guarantee a short amortization time and can be expanded nearly at will. The input-side visualization of the controller makes for easy operation.

For logistics applications, we prefer to use standard conveyor technology that can be designed so that it is cost-effective and reliable. Customer-specific solutions can be built from the existing building blocks on request. Even long lines are possible.

KNOLL Maschinenbau GmbH
 Schwarzachstraße 20
 DE-88348 Bad Saulgau
 Tel. +49 7581 2008-0
 Fax +49 7581 2008-90140
 info.itworks@knoll-mb.de
 www.knoll-mb.de

Chain conveyor TS-S-A / TS-G-A



Technical data TS-S-A/TS-G-A*

Height	> 300 mm
Width	500 – 1,500 mm
Speed	0.25 – 18 m/min
Chain type	Accumulation chain, roller chain
Transport medium	Trolley, workpiece carrier, pallet, box pallet, special carrier

Function units	Attachments
Conveyor	Platform
Turning station	Cover
90° transfer	Customized lateral guidance
Transfer car	Pillar for control devices
Indexing unit	Up and down ramps
Lifting unit	
Scissor lift	
Seperating stopps (Stop-and-go)	
Customized units on request	

*A = elevated